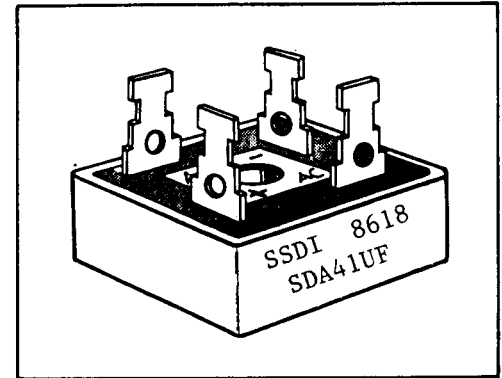


SDA41UF

X00092

14.5 AMP RECTIFIER ASSEMBLY

- Average Output Current 14.5 Amps
- PIV 50 to 600 Volts
- Reverse Recovery Time*70ns Max
- Max Thermal Resistance Junction to Case 1.5°C/Watt
- All Welded Interconnects
- Hermetically Sealed
- Universal 3 Way Terminals
- Aluminum Case



SSDI introduces a new and complete line of Single Phase, Ultra Fast Rectifier Bridge Assemblies. Designed in aluminum cases to provide maximum thermal conductivity and simple operation. A unique 3 way terminal provides the designer a choice of using Faston terminals, wire wrap or soldering hole. This series features SSDI's exclusive glass passivated rectifier cells and welded interconnects for high reliability and mechanical strength. Hyper Fast and Standard Recovery Bridges are also available. Consult your factory representative for engineering assistance.

Type	PIV per leg	Sine Wave RMS input Voltage Max.	Average DC Output Amps TC = (case temp.)		Reverse Recovery Time *T _{rr} Max	Average DC Output Amps TA = Ambient Temp (No heat Sink)		Peak 1 Cycle Forward Surge	Peak Recurrent Forward	VF Max per leg @ ADC 3	Reverse Current (I _R Max. per leg. @ PIV)	
			50°C	100°C		25°C	55°C				25°C	100°C
	VOLTS	VOLTS	AMPS	AMPS	ns	AMPS	AMPS	AMPS	AMPS	VOLTS	UA	UA
SDA41AUF	50	35	14.5	10.5	70	5	4	75	25	1.35	20	500
SDA41BUF	100	70	14.5	10.5	70	5	4	75	25	1.35	20	500
SDA41CUF	200	140	14.5	10.5	70	5	4	75	25	1.35	20	500
SDA41DUF	300	210	14.5	10.5	70	5	4	75	25	1.35	20	500
SDA41EUF	400	280	14.5	10.5	70	5	4	75	25	1.35	20	500
SDA41FUF	500	350	14.5	10.5	70	5	4	75	25	1.35	20	500
SDA41GUF	600	420	14.5	10.5	70	5	4	75	25	1.35	20	500

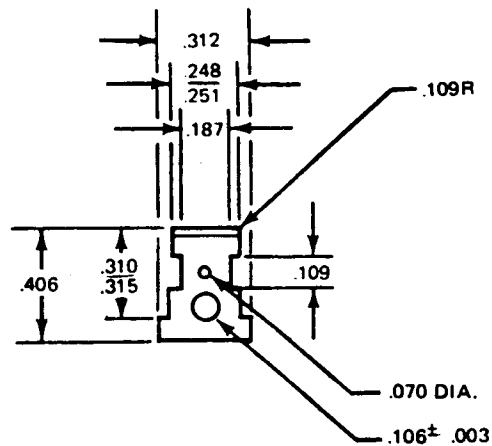
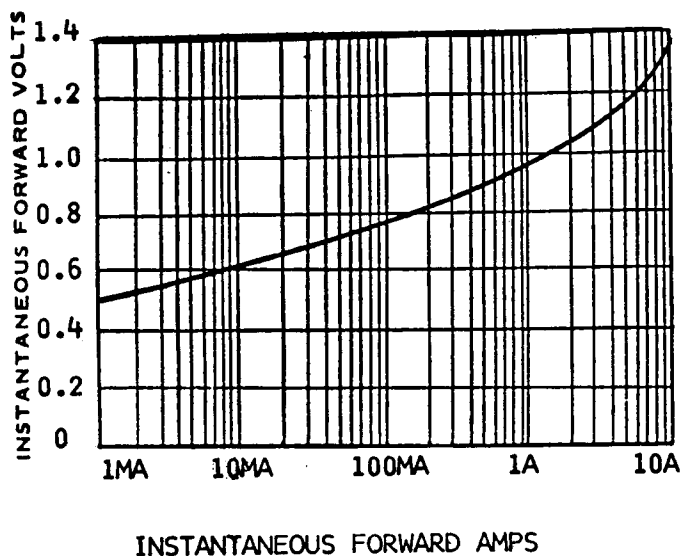
Higher Voltages Are Available. Contact Factory.

NOTE: Specifications Subject to Change Without Notice.
*Recovery Time Conditions; I_F = .5A, I_R = 1A, I_{rr} = .25A

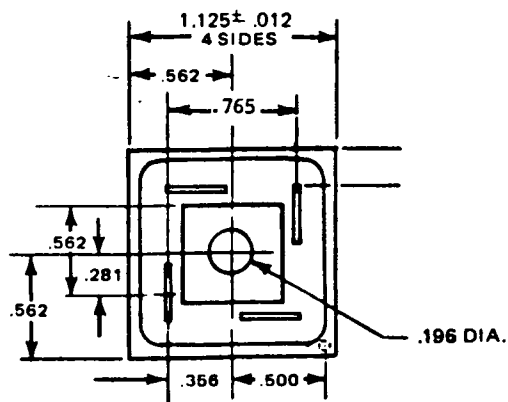
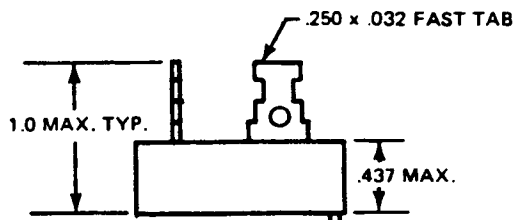
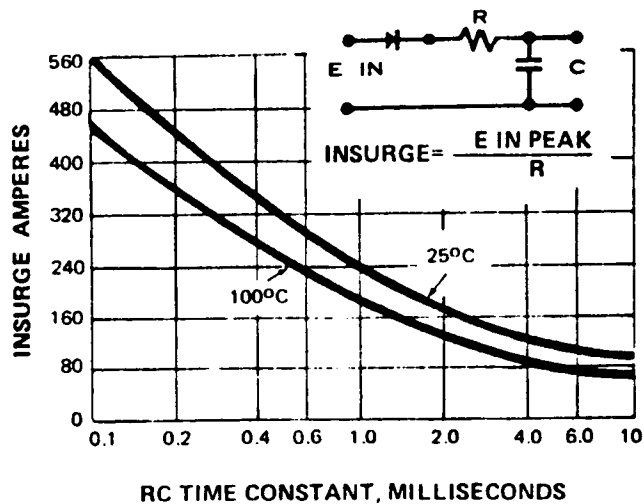
SSDI SOLID STATE DEVICES, INC.

7/86

TYPICAL DYNAMIC FORWARD CHARACTERISTICS



MAXIMUM RATINGS FOR CAPACITY LOADS



TOLERANCE XX±.03
 XXX±.020
 FRACTIONAL = NOMINAL DIMENSION